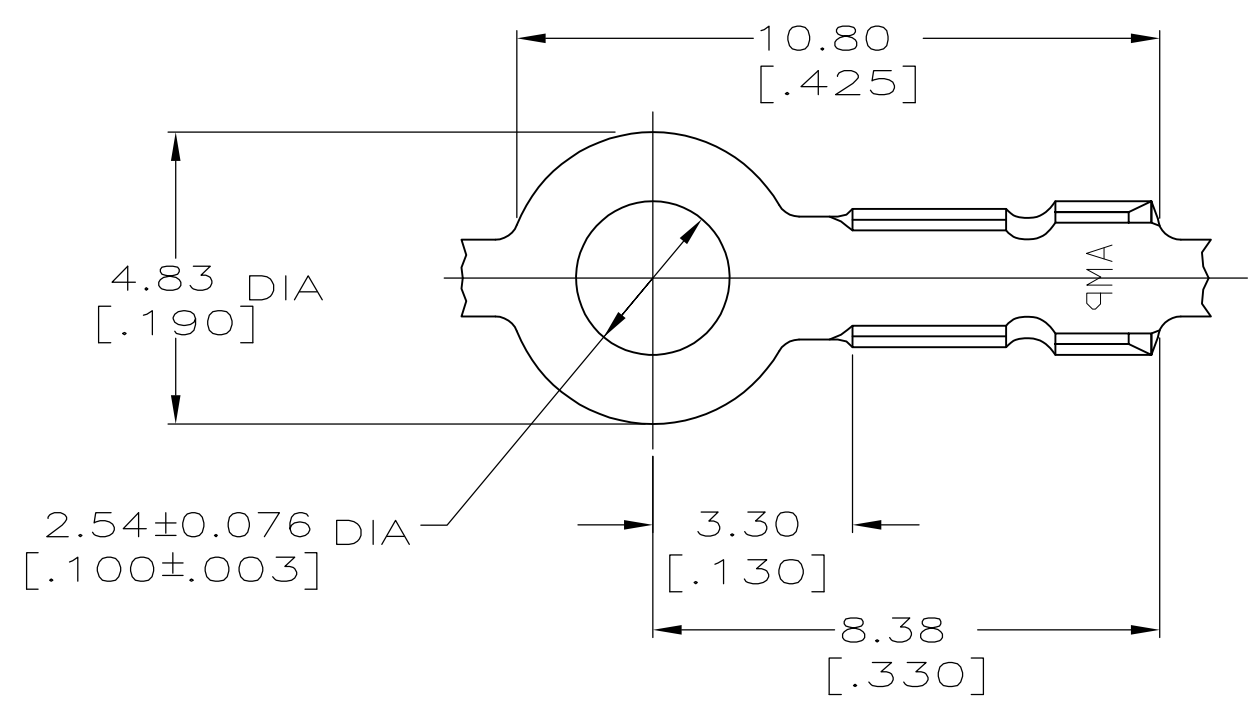
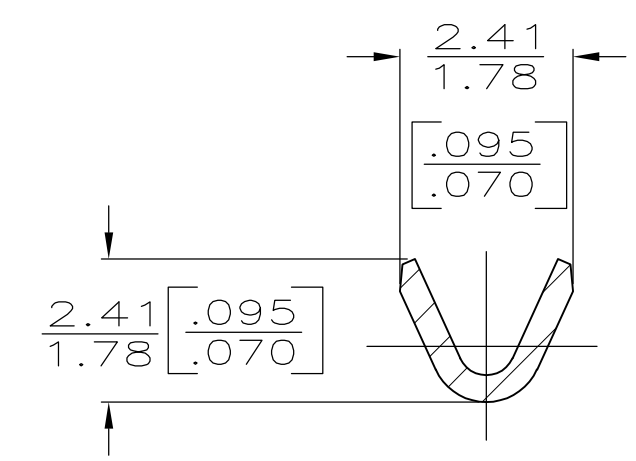
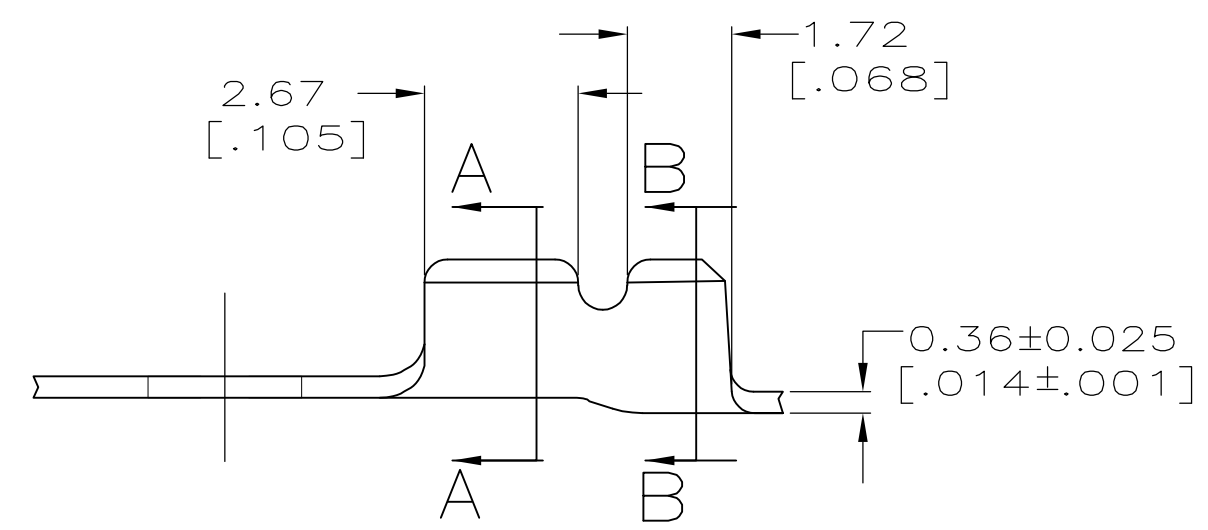


THIS DRAWING IS UNPUBLISHED. RELEASED FOR PUBLICATION
 © COPYRIGHT BY TYCO ELECTRONICS CORPORATION. ALL INTERNATIONAL RIGHTS RESERVED.

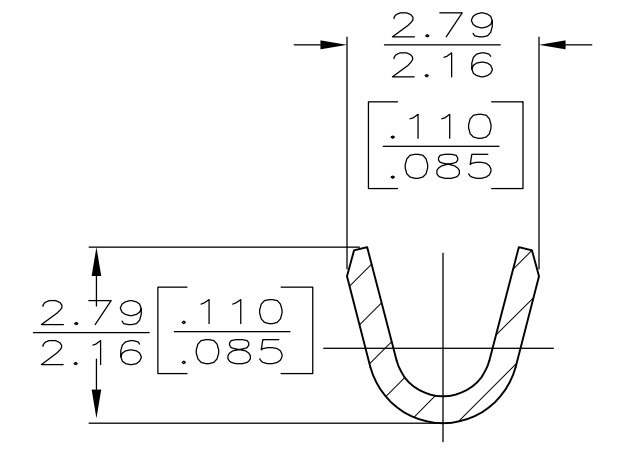
LOC	DIST	REVISIONS			
P	LTR	DESCRIPTION	DATE	DWN	APVD
AF	50				
		D	REVISED PER ECR-10-006099	07JUL10	HMR PD



- CONTINUOUS STRIP ON REELS
- WIRE SIZE IS 0.12-0.4mm [26-22] AWG
- INSULATION RANGE IS 1.02-1.52 [.040-.060] DIA.
- PRELIMINARY - NOT FOR PRODUCTION



SECTION A-A
SCALE 10:1



SECTION B-B
SCALE 10:1

TIN	60007-2
-	60007-1
FINISH	PART NO.

0	2.29 [.090]	4.19 [.165]	F	1.57 [.062]	1.02 [.040]	0.4mm ² [22]
					0.94 [.037]	0.2mm ² [24]
					0.91 [.036]	0.12mm ² [26]
TYPE	WIDTH	STRIP LENGTH ±0.38 [±.015]	TYPE	WIDTH	±0.051 [±.002] HEIGHT	WIRE
INSUL BARREL CRIMP			WIRE BARREL CRIMP			

THIS DRAWING IS A CONTROLLED DOCUMENT.

DIMENSIONS: mm [INCHES]

TOLERANCES UNLESS OTHERWISE SPECIFIED:

0 PLC	± -
1 PLC	± -
2 PLC	± -
3 PLC	± 0.25 [.010]
4 PLC ANGLES	± -

MATERIAL: #2 HARD BRASS

FINISH: SEE TABLE

DWN	P FORTNEY	3/28/90		Tyco Electronics Corporation Harrisburg, PA 17105-3608		
CHK	JR RUTH	3/28/90		NAME		
APVD	G YETTER	3/28/90		RING		
PRODUCT SPEC				SIZE		
APPLICATION SPEC			CAGE CODE			
WEIGHT	-		DRAWING NO			
CUSTOMER DRAWING			A300779			
			G-60007			
			SCALE	8:1	SHEET	1 OF 1
			REV			D