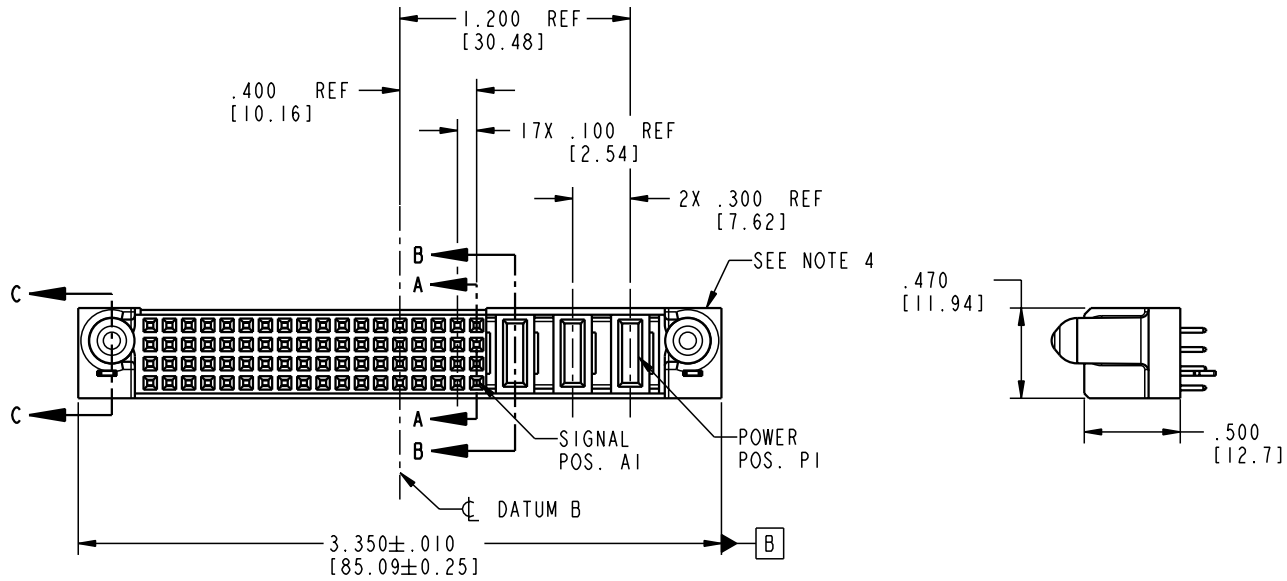


Tous droits strictement réservés. Reproduction ou communication o des liens interdite sous quelque forme que ce soit sans autorisation écrite du propriétaire. Propriété de c FCI. Droits de reproduction FCI.

All rights strictly reserved. Reproduction or issue to third parties in any form whenever is not permitted without written authority from the proprietor. Property of FCI. Copyright FCI.

FCI

PRODUCT NO.	ROWS	SIGNAL																		POWER			E1	
		E2	18	17	16	15	14	13	12	11	10	9	8	7	6	5	4	3	2	1	P3	P2		P1
51940-106	D C B A																							



CODE	DIM "M" MATING LENGTH	CONTACT TYPE
E	N/A [N/A]	SIGNAL
PA	.042 [1.07]	POWER
HA	N/A [N/A]	HOLD-DOWN

mat'l code				SEE NOTE 2		tolerances unless otherwise specified		CUSTOMER		FCI www.fciconnect.com	
ltr	ecn no.	dr	date	linear	.XX±.01/0.X±0.3		COPY		 INCH/MM scale 1:1		
A	V04-1033	TAB	10/19/04		.XXX±.005/0.XXX±0.13		projection				
					.XXX±.0020/0.XXX±0.051						
				angles	0°±2°				title 3ACP + 72S VERTICAL SOLDER RECEPT		
				dr	T. BRUNGARD	10/19/04	product family PwrBlade		code 213		
				engr	M. GRAY	10/19/04	size		sheet 1 of 4		
				chr	M. GRAY	10/19/04	dwg no		A 51940-106		
				appd	M. GRAY	10/19/04	scale		1:1		
sheet index	revision sheet	A	A	A	A				cage code 22526		
1	2	3	4						4		

Pro/E

3

cage code 22526

4

PDM: Rev:A

STATUS: Released

Printed: Dec 20, 2010

Tous droits strictement réservés. Reproduction ou communication o des tiers interdite sous quelque forme que ce soit sans autorisation écrite du propriétaire. Propriete de c FCI. Droits de reproduction FCI.

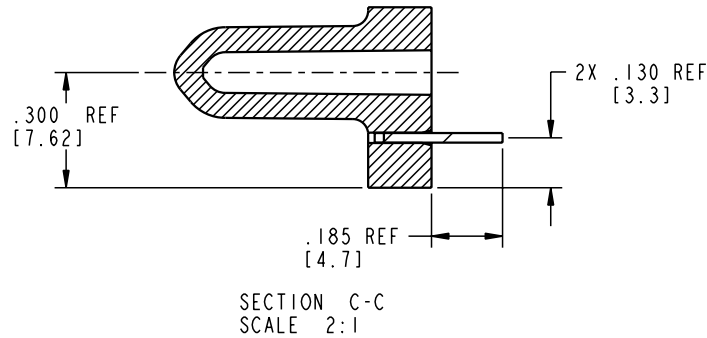
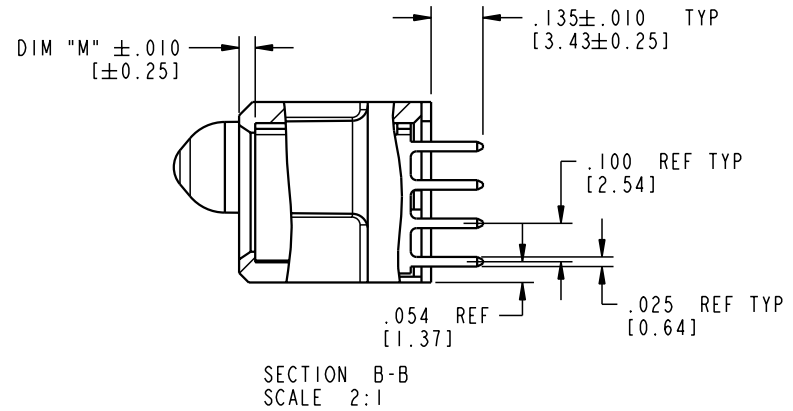
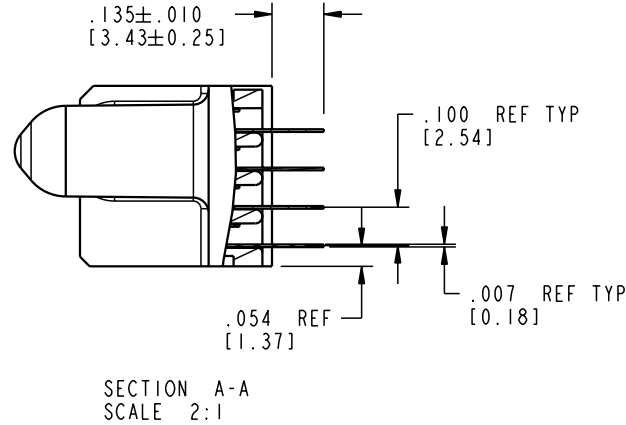
A
FCI


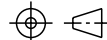

All rights strictly reserved. Reproduction or issue to third parties in any form whatever is not permitted without written authority from the proprietor. Property of FCI. Copyright FCI.

A

B

PRODUCT NUMBER
51940-106



mat'l code				SEE NOTE 2		tolerances unless otherwise specified		CUSTOMER		 FCI www.fciconnect.com	
ltr	ecn no.	dr	date	linear	.XX±.01/0.X±0.3		COPY		title		
A					.XXX±.005/0.XX±0.13		projection		3ACP + 72S		
					.XXX±.0020/0.XXX±0.051				VERTICAL SOLDER RECEIPT		
					° ± 2°				product family		
				dr	T. BRUNGARD	10/19/04	INCH/MM		PwrBlade		code
				enr	M. GRAY	10/19/04	scale		size		213
				chr	M. GRAY	10/19/04	1:1		dwg no		sheet
				appd	M. GRAY	10/19/04			A 51940-106		2 of 4
sheet index		revision sheet									

A

B

1 | 2

3 |

4

1 | 2

Pro/E

3 |

cage code 22526

4

PDM: Rev:A

STATUS: **Released**

Printed: Dec 20, 2010

Tous droits strictement réservés. Reproduction ou communication o des tiers interdite sous quelque forme que ce soit sans autorisation écrite du propriétaire. Propriete de c FCI. Droits de reproduction FCI.

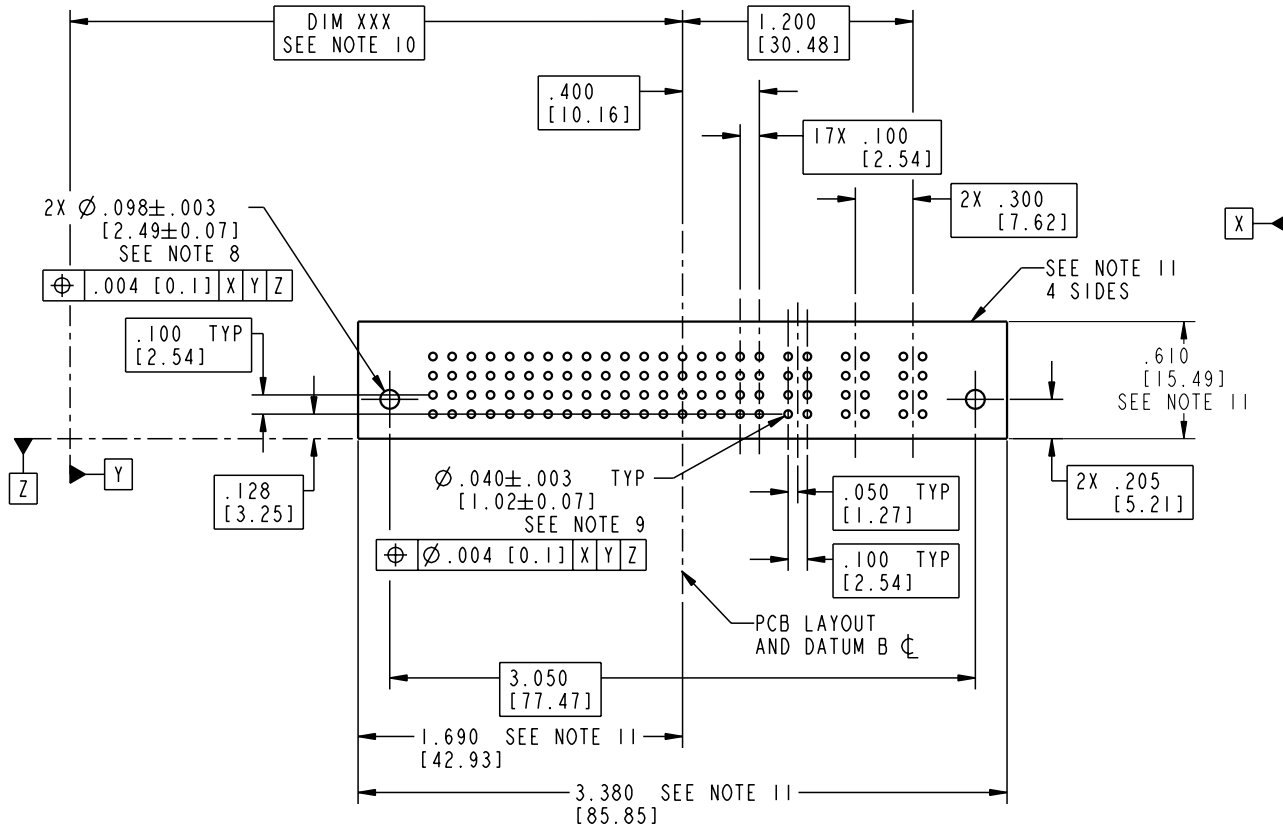
A
FCI

All rights strictly reserved. Reproduction or issue to third parties in any form whatever is not permitted without written authority from the proprietor. Property of FCI. Copyright FCI.

A

A

PRODUCT NUMBER
51940-106



mat'l code				SEE NOTE 2		tolerances unless otherwise specified		CUSTOMER		 www.fciconnect.com			
ltr	ecn no.	dr	date	linear	.XX±.01/0.X±0.3	projection	COPY		title				
A				angles	.XXX±.005/0.XX±0.13				3ACP + 72S				
				dr	.XXX±.0020/0.XXX±0.051	INCH/MM			VERTICAL SOLDER RECEIPT				
				enr	0° ± 2°	scale	product family		PwrBlade				
				chr	T. BRUNGARD 10/19/04	1:1	size		code				
				appd	M. GRAY 10/19/04		dwg no		213				
sheet index		revision sheet						A		51940-106		sheet 3 of 4	

B

1 | 2

3 |

4

1 | 2

Pro/E

3 |

cage code 22526

4

PDM: Rev:A

STATUS: **Released**

Printed: Dec 20, 2010

Tous droits strictement réservés. Reproduction ou communication o des tiers interdite sous quelque forme que ce soit sans autorisation écrite du propriétaire. Propriete de c FCI. Droits de reproduction FCI.

A
FCI

All rights strictly reserved. Reproduction or issue to third parties in any form, whatever is not permitted without written authority from the proprietor. Property of FCI. Copyright FCI.

B

PRODUCT NUMBER
51940-106

NOTES:

1. DIMENSIONS AND TOLERANCES ARE IN ACCORDANCE WITH ASME Y14.5M, 1994 UNLESS OTHERWISE SPECIFIED.

CONNECTOR NOTES:

2 HOUSING MATERIAL: UL 94 V-0 GLASS FILLED

HIGH-TEMP THERMOPLASTIC
POWER CONTACT MATERIAL: COPPER ALLOY
SIGNAL PIN MATERIAL: COPPER ALLOY

3. PLATING:

SIGNAL PINS: 30u"/0.76um Au OVER 50u"/1.27um Ni
POWER CONTACTS: 50u"/1.27um Ni UNDER ALL
WITH 30u"/0.76um Au ON CONTACT AREA
AND SnPb ON PCB INTERFACE

4 MANUFACTURER'S NAME, P/N, AND DATE CODE TO APPEAR ON THIS SURFACE.

5. PRODUCT SPECIFICATION GS-12-149.
APPLICATION SPECIFICATION BUS-20-067.

6. PACKAGED IN TRAYS.

PCB NOTES:

7. ALL HOLE DIAMETERS ARE FINISHED HOLE SIZE.

8 MOUNTING HOLES, WHERE APPLICABLE, ARE UNPLATED.

9 $\varnothing .0453 \pm .0010$ [1.151 \pm 0.025] DRILLED HOLES PLATED WITH
.0003 [0.008] MIN SnPb OVER .001 [0.03]
TO .003 [0.08] Cu PLATING TO ACHIEVE
 $\varnothing .040 \pm .003$ [1.02 \pm .07] HOLE.

10 "DIM XXX" TO BE DETERMINED BY THE CUSTOMER.

11 CONNECTOR KEEP-OUT ZONE.

mat'l code				SEE NOTE 2		tolerances unless otherwise specified		CUSTOMER		A FCI www.fciconnect.com	
ltr	ecn no.	dr	date	linear	.XX±.01/0.X±0.3		COPY		title 3ACP + 72S VERTICAL SOLDER RECEPT		
A					.XXX±.005/0.XX±0.13		projection				
				angles	.XXX±.0020/0.XXX±0.051				product family PwrBlade code 213		
				dr	T. BRUNGARD	10/19/04	INCH/MM		size dwg no		
				enr	M. GRAY	10/19/04	scale		A 51940-106		
				chr	M. GRAY	10/19/04	1:1		sheet 4 of 4		
				appd	M. GRAY	10/19/04					
sheet index		revision sheet							cage code 22526		

A

B

1 | 2

3 |

4

1 | 2

Pro/E

3 |

4